

Adjustable Tension Levers

Stainless Steel, with Internal Thread / with External Thread

SPECIFICATION

Type

- Type E: Angled lever

Hub / Shaft

Stainless steel AISI 303
Matte shot-blasted

Insert

Stainless steel AISI 303

Ball knobs DIN 319

Plastic, phenolic resin (PF)
Black, shiny finish

Safety circlip

Plastic, Polyacetal (POM)



INFORMATION

Adjustable tension levers GN 212.5 have proved to be ideal whenever parts have to be clamped in a confined space or a particular lever position is required. The threaded insert is connected with the hub via serrations which can be disengaged.

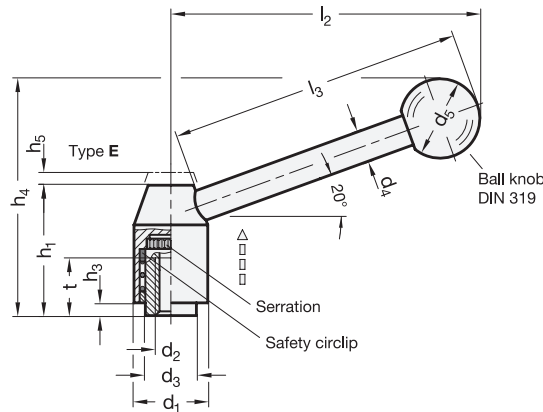
Pulling the lever, disengages the serrations and allowing it to be swivelled to the ideal clamping position. On releasing the lever it will automatically re-engage.

ON REQUEST

- Lever straight (90°)

TECHNICAL INFORMATION

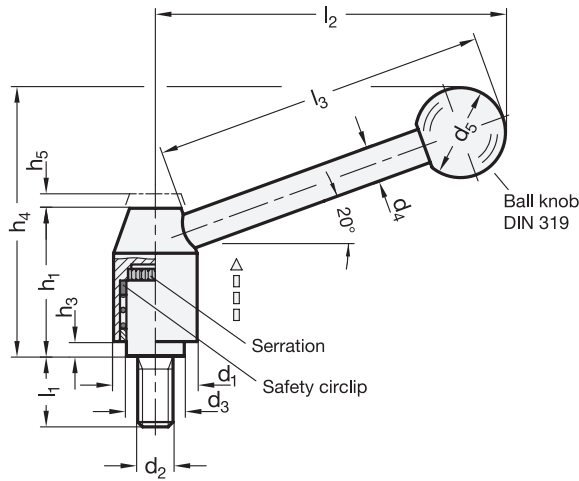
- Strength Values of Screws (see page A20)
- Plastic Characteristics (see page A2)
- Stainless Steel Characteristics (see page A26)



GN 212.5

STAINLESS STEEL

Description	d1	d2	d3	d4	d5	h1	h3	h4≈	h5 Stroke	l2 ≈	l3 ≈	t min	△
GN 212.5-21-M6-E	21	M 6	13.5	8	20	33.5	1	59	4	75	70	11	97
GN 212.5-21-M8-E	21	M 8	13.5	8	20	33.5	1	59	4	75	70	11	93
GN 212.5-24-M8-E	24	M 8	16	10	25	40	2.5	75	4.5	101	96	14	150
GN 212.5-24-M10-E	24	M 10	16	10	25	40	2.5	75	4.5	101	96	14	161
GN 212.5-28-M10-E	28	M 10	19	12	30	48.5	4.5	89	4.5	116	110	17	261
GN 212.5-28-M12-E	28	M 12	19	12	30	48.5	4.5	89	4.5	116	110	17	250



GN 212.5 with External Thread

STAINLESS STEEL

Description	d1	d2	l1	d3	d4	d5	h1	h3	h4≈	h5 Stroke	l2 ≈	l3 ≈	⚖
GN 212.5-21-M8-16-E	21	M 8	16	13.5	8	20	33.5	1	59	4	75	70	104
GN 212.5-21-M8-20-E	21	M 8	20	13.5	8	20	33.5	1	59	4	75	70	105
GN 212.5-21-M8-25-E	21	M 8	25	13.5	8	20	33.5	1	59	4	75	70	107
GN 212.5-21-M8-32-E	21	M 8	32	13.5	8	20	33.5	1	59	4	75	70	106
GN 212.5-21-M8-40-E	21	M 8	40	13.5	8	20	33.5	1	59	4	75	70	112
GN 212.5-21-M8-50-E	21	M 8	50	13.5	8	20	33.5	1	59	4	75	70	114
GN 212.5-21-M8-63-E	21	M 8	63	13.5	8	20	33.5	1	59	4	75	70	119
GN 212.5-24-M10-20-E	24	M 10	20	16	10	25	40	2.5	75	4.5	101	96	170
GN 212.5-24-M10-25-E	24	M 10	25	16	10	25	40	2.5	75	4.5	101	96	187
GN 212.5-24-M10-32-E	24	M 10	32	16	10	25	40	2.5	75	4.5	101	96	178
GN 212.5-24-M10-40-E	24	M 10	40	16	10	25	40	2.5	75	4.5	101	96	190
GN 212.5-24-M10-50-E	24	M 10	50	16	10	25	40	2.5	75	4.5	101	96	180
GN 212.5-24-M10-63-E	24	M 10	63	16	10	25	40	2.5	75	4.5	101	96	195
GN 212.5-24-M10-80-E	24	M 10	80	16	10	25	40	2.5	75	4.5	101	96	202
GN 212.5-28-M12-25-E	28	M 12	25	19	12	30	48.5	4.5	89	4.5	116	110	295
GN 212.5-28-M12-32-E	28	M 12	32	19	12	30	48.5	4.5	89	4.5	116	110	300
GN 212.5-28-M12-40-E	28	M 12	40	19	12	30	48.5	4.5	89	4.5	116	110	305
GN 212.5-28-M12-50-E	28	M 12	50	19	12	30	48.5	4.5	89	4.5	116	110	300
GN 212.5-28-M12-63-E	28	M 12	63	19	12	30	48.5	4.5	89	4.5	116	110	322
GN 212.5-28-M12-80-E	28	M 12	80	19	12	30	48.5	4.5	89	4.5	116	110	333



3
Clamping levers